



tube-inspector

by matesy

Automated measurement of tubular
targets and magnet bars





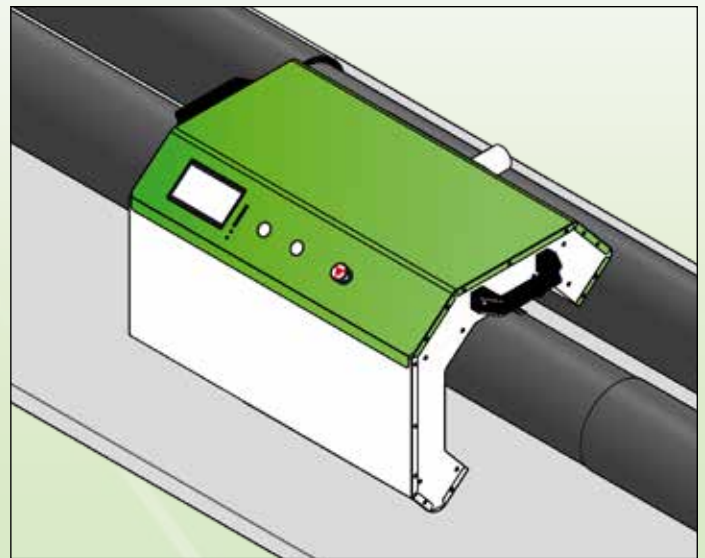
tube-inspector

by matesy

The tube-inspector is an automated system for the fast and precise measurement of tubular targets. It was developed to analyze coated pipes and tubes (e. g. rotational targets) before and during the production process. The system provides information about the quality of the process and the lifetime of tubular targets. Parameters, such as the diameter, ellipticity and deflection can be determined.

Optical measurement

Perfect glass coating processes require high quality tubular targets. The tube-inspector is a fast and reliable system. It determines the target's geometries with a high accuracy and operates production oriented and fully automated. The magnetic field inside of the tubular system can be measured. All results are recorded to a SD Card.



Technical features

Mechanical properties

- Diameter: 130 - 170 mm
- Weight: 10 kg
- L/W/H: 52/62/41 cm
- V: 0.5 m/s

Optical properties

- Diffuse and low-reflective surfaces
- Sensor number: 6
- Accuracy: +/- 0.5 mm

Magnetical parameter

- 14 hall sensors: +/- 160 mT





matesy
Magnetic Technologies & Systems

Contact & Information

Matesy GmbH
Löbstedter-Str. 101-103
D-07749 Jena
Germany

Tel.: +49 (0) 03641 79799 00
Fax: +49 (0) 03641 79799 01
E-mail: info@matesy.de
Web: www.matesy.de

